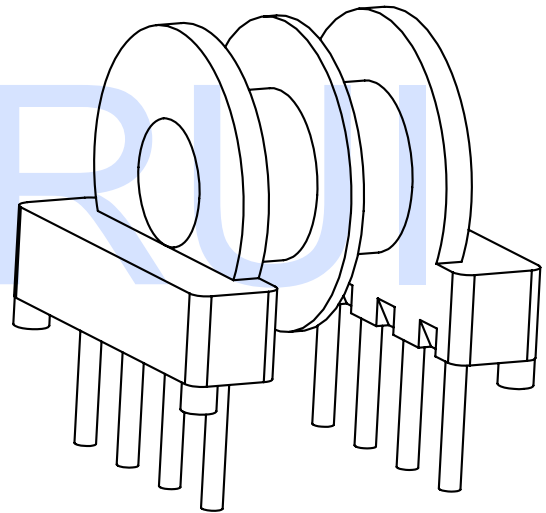
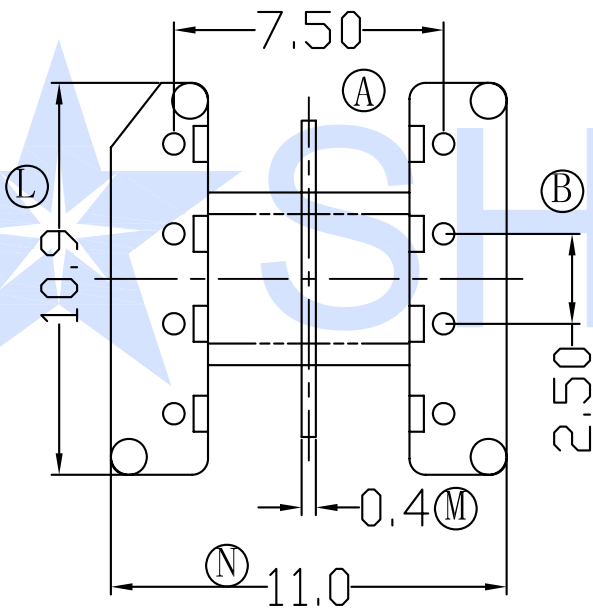
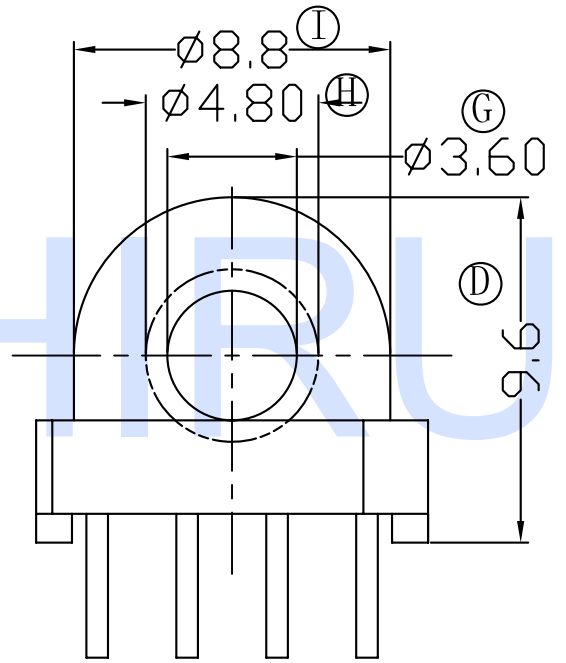
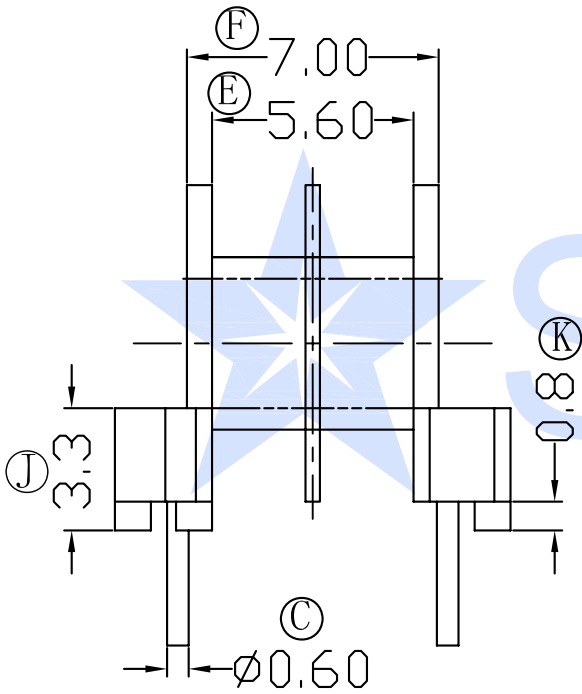


P/N

SR-EP 1001-1

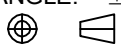


Hefei Shirui Electronic Technology Co.,Ltd

TEL : (0086) 55165232650

sales@shiruitech.com

www.shiruitech.com

SR NO. SR-EP 1001-1	MATERIAL: PHENOLIC	UNIT: mm	TOLERANCE	DRN.	WILL H
MODEL NAME: EP10-8P-2S H	UL REC: UL 94V-0		0 L 4 ±0.10	CHD.	IRINA LEE
	ANGLE: ±° 		4 L 16 ±0.20	ISSD.	JAMES HU
	SCALE 1:1		16 L 64 ±0.30		
			PIN PITCH ±0.05		